



SACHSEN-ANHALT

#moderndenken

Online Access Act (Online-Zugangs-Gesetz)



Offensiv
Zukunft
Gestalten

What is regulated by the OZG?



Online-Services

provide all administrative services online by the end of 2022



Portal alliance

The federal and state governments must link their portals into a network



User accounts

Users must be able to identify themselves uniformly for all services with a service account

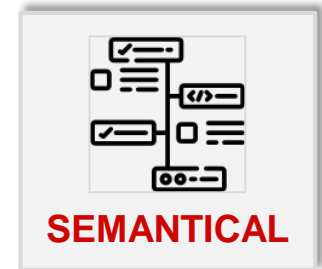


Standards

The German government can set specifications for IT applications, basic services and standards for interfaces and security specifications



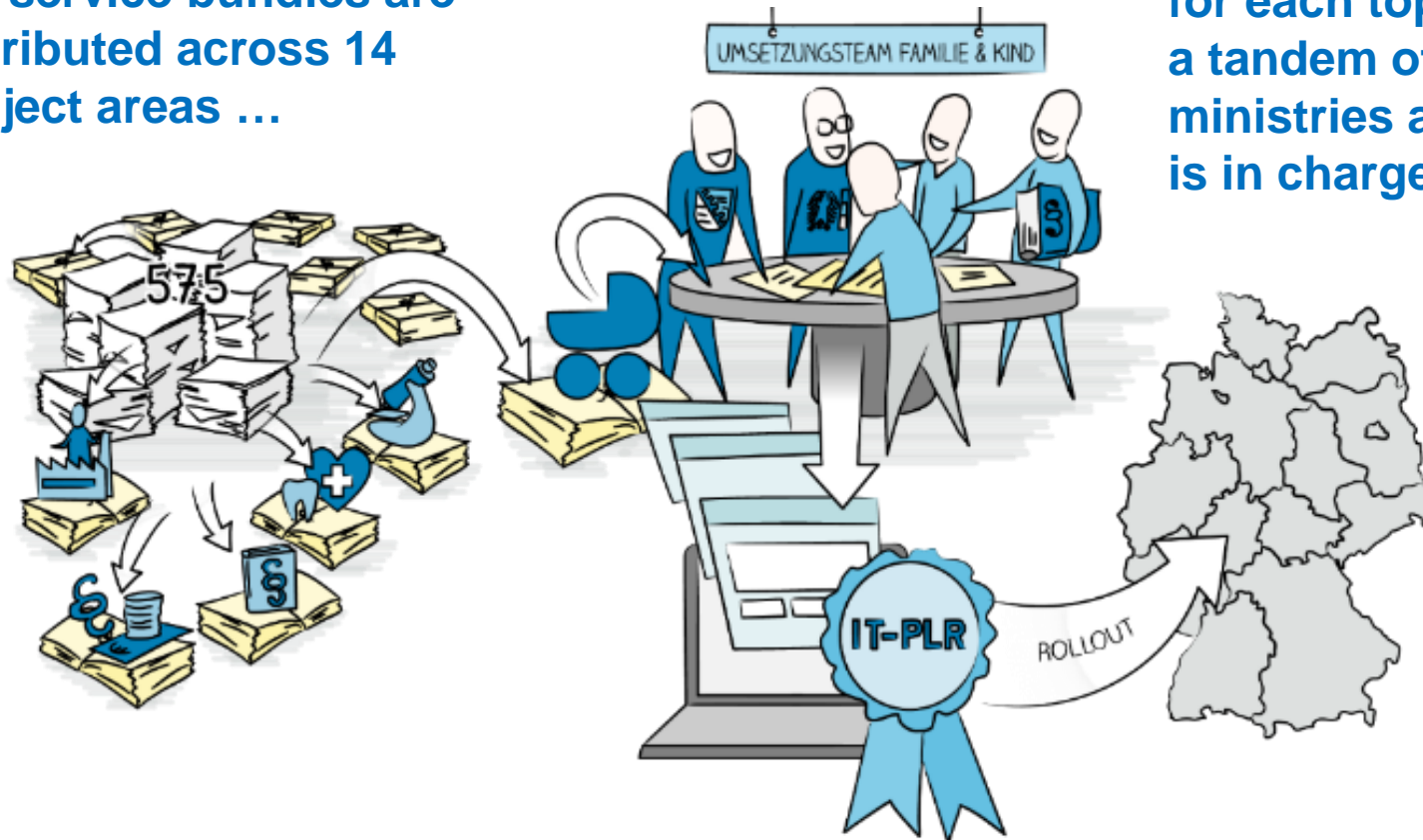
Which dimensions are to be considered?



How to proceed?

575 service bundles are distributed across 14 subject areas ...

for each topic area a tandem of federal ministries and state is in charge

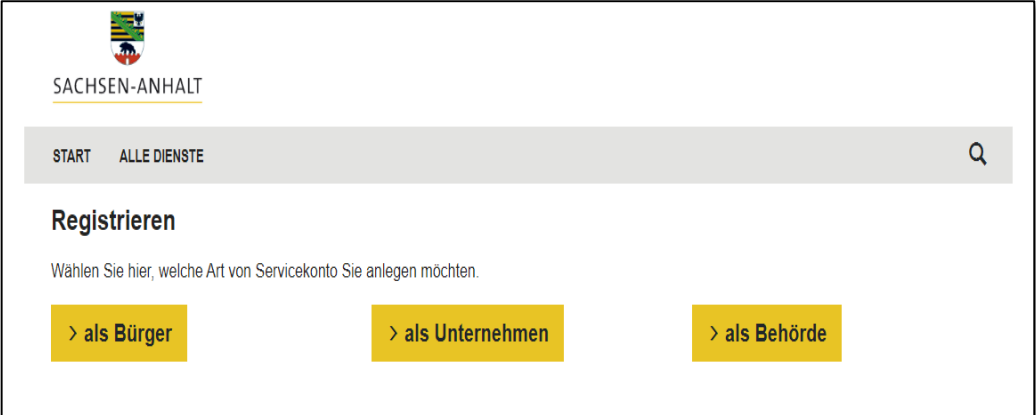


the goal is to develop digital solutions together with local authorities.



Why is the user account important?

- **One-time registration for all administrative services in the portal network**
- **Practical storage of identity data**
- **Easier communication through integrated letterbox**
- **Uniform and interoperable with other user accounts**
- **has public confidence**



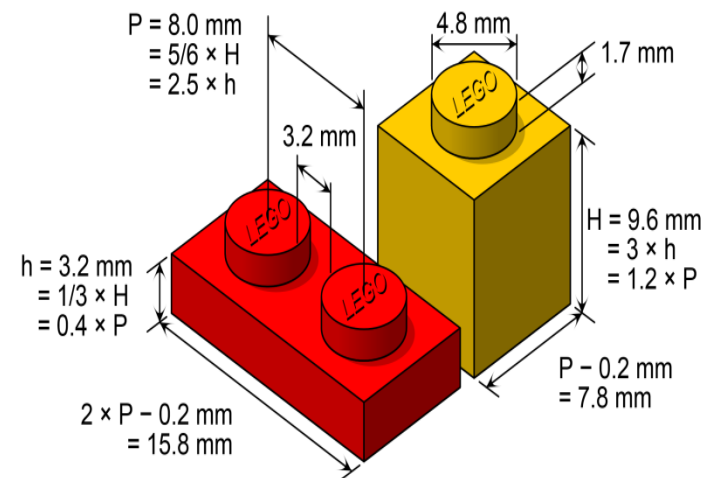
The screenshot shows the registration page of the Sachsen-Anhalt portal. At the top, there is the Sachsen-Anhalt logo and the text 'SACHSEN-ANHALT'. Below this is a navigation bar with 'START' and 'ALLE DIENSTE' links, and a search icon. The main heading is 'Registrieren', followed by the instruction 'Wählen Sie hier, welche Art von Servicekonto Sie anlegen möchten.' There are three yellow buttons with white text: '> als Bürger', '> als Unternehmen', and '> als Behörde'.



Why is standardisation highlighted?

- § 5 OZG safety standards
- § 6 OZG Communication standards
- Core task of the IT Planning Council
- binding method FIM

XML-> XÖV



- creates the basis for adaptation for alternative solutions



Many thanks for your attention

Frank Bonse

Ministerium der Finanzen des Landes
Sachsen-Anhalt

Editharing 40

39108 Magdeburg

Tel.+49 391 567 1030

E-Mail: Frank.bonse@sachsen-anhalt.de
ozg-mf@sachsen-anhalt.de



Sachsen-Anhalt
#moderndenken